

NEW



Q2

KIT INCLUDES:

- Mounting Bracket
- Mounting Hardware
- Vibration Isolator
- Plug & Play Wiring Harness with Deutsch connector and switch

Hyperspot



Wide



Driving



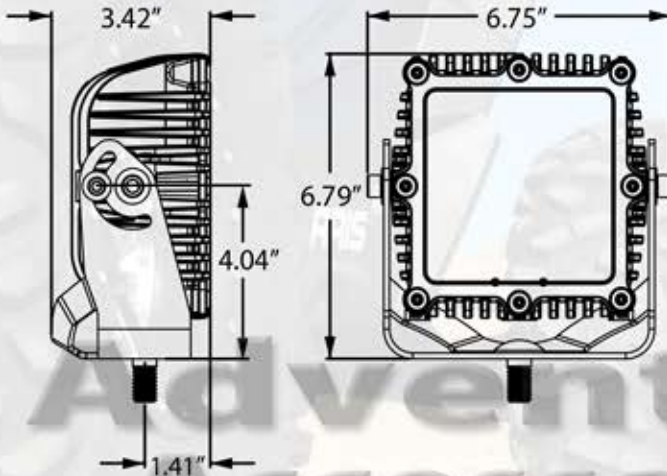
Diffused



Hyperspot/Driving



Driving/Down Diffused



PART NUMBERS

- | | | |
|-------|----------------------------|---|
| 24411 | Q - Flood | ● |
| 24421 | Q - Spot | ● |
| 24451 | Q - Diffused | ● |
| 24461 | Q - Spot/Down Diffused | ● |
| 24471 | Q - Flood/Down Diffused | ● |
| 54411 | Q2 - Wide | ● |
| 54431 | Q2 - Driving | ● |
| 54471 | Q2 - Hyperspot | ● |
| 54451 | Q2 - Diffused | ● |
| 54481 | Q2 - Driving/Hyperspot | ● |
| 54461 | Q2 - Driving/Down Diffused | ● |

SEE PAGE 87 FOR MARINE PART NUMBERS.

Adventure Accessories